

DEM-DAI1770/1771 EVM

User's Guide

IMPORTANT NOTICE

Texas Instruments Incorporated and its subsidiaries (TI) reserve the right to make corrections, modifications, enhancements, improvements, and other changes to its products and services at any time and to discontinue any product or service without notice. Customers should obtain the latest relevant information before placing orders and should verify that such information is current and complete. All products are sold subject to TI's terms and conditions of sale supplied at the time of order acknowledgment.

TI warrants performance of its hardware products to the specifications applicable at the time of sale in accordance with TI's standard warranty. Testing and other quality control techniques are used to the extent TI deems necessary to support this warranty. Except where mandated by government requirements, testing of all parameters of each product is not necessarily performed.

TI assumes no liability for applications assistance or customer product design. Customers are responsible for their products and applications using TI components. To minimize the risks associated with customer products and applications, customers should provide adequate design and operating safeguards.

TI does not warrant or represent that any license, either express or implied, is granted under any TI patent right, copyright, mask work right, or other TI intellectual property right relating to any combination, machine, or process in which TI products or services are used. Information published by TI regarding third-party products or services does not constitute a license from TI to use such products or services or a warranty or endorsement thereof. Use of such information may require a license from a third party under the patents or other intellectual property of the third party, or a license from TI under the patents or other intellectual property of TI.

Reproduction of information in TI data books or data sheets is permissible only if reproduction is without alteration and is accompanied by all associated warranties, conditions, limitations, and notices. Reproduction of this information with alteration is an unfair and deceptive business practice. TI is not responsible or liable for such altered documentation.

Resale of TI products or services with statements different from or beyond the parameters stated by TI for that product or service voids all express and any implied warranties for the associated TI product or service and is an unfair and deceptive business practice. TI is not responsible or liable for any such statements.

Mailing Address:

Texas Instruments
Post Office Box 655303
Dallas, Texas 75265

EVM IMPORTANT NOTICE

Texas Instruments (TI) provides the enclosed product(s) under the following conditions:

This evaluation kit being sold by TI is intended for use for **ENGINEERING DEVELOPMENT OR EVALUATION PURPOSES ONLY** and is not considered by TI to be fit for commercial use. As such, the goods being provided may not be complete in terms of required design-, marketing-, and/or manufacturing-related protective considerations, including product safety measures typically found in the end product incorporating the goods. As a prototype, this product does not fall within the scope of the European Union directive on electromagnetic compatibility and therefore may not meet the technical requirements of the directive.

Should this evaluation kit not meet the specifications indicated in the EVM User's Guide, the kit may be returned within 30 days from the date of delivery for a full refund. **THE FOREGOING WARRANTY IS THE EXCLUSIVE WARRANTY MADE BY SELLER TO BUYER AND IS IN LIEU OF ALL OTHER WARRANTIES, EXPRESSED, IMPLIED, OR STATUTORY, INCLUDING ANY WARRANTY OF MERCHANTABILITY OR FITNESS FOR ANY PARTICULAR PURPOSE.**

The user assumes all responsibility and liability for proper and safe handling of the goods. Further, the user indemnifies TI from all claims arising from the handling or use of the goods. Please be aware that the products received may not be regulatory compliant or agency certified (FCC, UL, CE, etc.). Due to the open construction of the product, it is the user's responsibility to take any and all appropriate precautions with regard to electrostatic discharge.

EXCEPT TO THE EXTENT OF THE INDEMNITY SET FORTH ABOVE, NEITHER PARTY SHALL BE LIABLE TO THE OTHER FOR ANY INDIRECT, SPECIAL, INCIDENTAL, OR CONSEQUENTIAL DAMAGES.

TI currently deals with a variety of customers for products, and therefore our arrangement with the user **is not exclusive**.

TI assumes **no liability for applications assistance, customer product design, software performance, or infringement of patents or services described herein**.

Please read the EVM User's Guide and, specifically, the EVM Warnings and Restrictions notice in the EVM User's Guide prior to handling the product. This notice contains important safety information about temperatures and voltages. For further safety concerns, please contact the TI application engineer.

Persons handling the product must have electronics training and observe good laboratory practice standards.

No license is granted under any patent right or other intellectual property right of TI covering or relating to any machine, process, or combination in which such TI products or services might be or are used.

Mailing Address:

Texas Instruments
Post Office Box 655303
Dallas, Texas 75265

EVM WARNINGS AND RESTRICTIONS

It is important to operate this EVM within the input voltage range of 5 V and the output voltage range of 5 V.

Exceeding the specified input range may cause unexpected operation and/or irreversible damage to the EVM. If there are questions concerning the input range, please contact a TI field representative prior to connecting the input power.

Applying loads outside of the specified output range may result in unintended operation and/or possible permanent damage to the EVM. Please consult the EVM User's Guide prior to connecting any load to the EVM output. If there is uncertainty as to the load specification, please contact a TI field representative.

During normal operation, some circuit components may have case temperatures greater than 55°C. The EVM is designed to operate properly with certain components above 55°C as long as the input and output ranges are maintained. These components include but are not limited to linear regulators, switching transistors, pass transistors, and current sense resistors. These types of devices can be identified using the EVM schematic located in the EVM User's Guide. When placing measurement probes near these devices during operation, please be aware that these devices may be very warm to the touch.

Mailing Address:

Texas Instruments
Post Office Box 655303
Dallas, Texas 75265

Contents

1	Description	1-1
1.1	Block Diagram	1-2
1.2	DEM-DAI1770/1771 Basic Connection and Operation	1-2
1.2.1	Configuration Controls	1-3
1.3	Jumpers	1-3
1.3.1	JP001	1-3
1.3.2	CN057	1-4
1.3.3	SW001 on PCM1770/1771 Daughtercard	1-4
1.4	Demonstration Software (Version 1.0) for the PCM1770	1-4
1.4.1	Installation	1-4
1.4.2	Operation	1-5
2	Schematics and Printed-Circuit Boards	2-1
2.1	DEM-DAI/DAC Printed-Circuit Board	2-2
2.2	DEM-PCM1770/1771 Daughtercard Printed-Circuit Board	2-5
2.3	DEM-DAI/DAC Schematics	2-7
2.4	DEM-PCM1770/1771 Daughtercard Schematics	2-9

Figures

1-1	DEM-DAI1770/1771 Block Diagram	1-2
2-1	DEM-DAI/DAC Silkscreen	2-2
2-2	DEM-DAI/DAC Top View	2-3
2-3	DEM-DAI/DAC Bottom View	2-4
2-4	DEM-PCM1770/1771 Silkscreen	2-5
2-5	DEM-PCM1770/1771 Top View	2-5
2-6	DEM-PCM1770/1771 Bottom View	2-6
2-7	DEM-DAI/DAC Daughtercard Sockets	2-7
2-8	DEM-DAI/DAC Connector and Regulator	2-7
2-9	DEM-DAI/DAC Digital Audio Interface	2-8
2-10	DEM-PCM1770/1771	2-9

Tables

1-1	SW001/002/003: CS8414 (Digital Audio I/F Receiver) on DEM-DAI/DAC Board	1-3
1-2	SW006: Hardware Control (Only for PCM1771)	1-3

Description

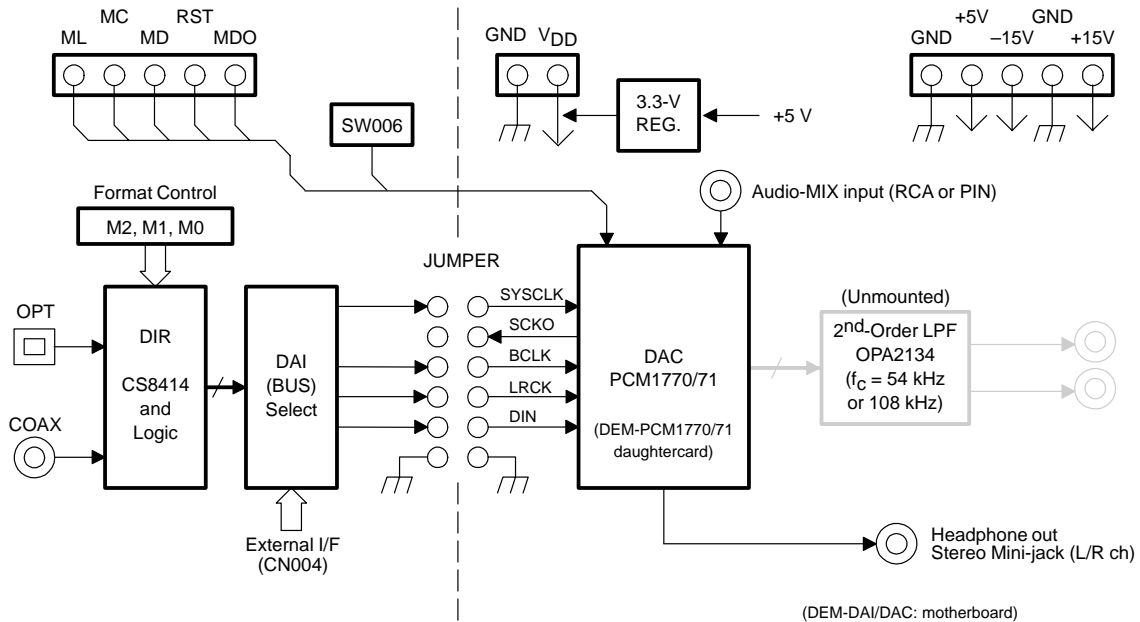
The DEM-DAI1770/1771 is an evaluation board for the PCM1770/1771, a 24-bit, 50-kHz, two-channel audio DAC with digital audio receiver, mode control switch, analog mixing input, stereo headphone output, and more.

Although the PCM1770/1771 requires a 2.5-V or 3.3-V supply, the DEM-DAI1770 operates from a 5-V analog power supply with S/PDIF input signal and has an onboard 2.5-V or 3.3-V voltage regulator. In order to control the PCM1770/1771, demonstration software (only for PCM1770) is provided. This software controls the device via a PC-compatible parallel port.

Topic	Page
1.1 Block Diagram	1-2
1.2 DEM-DAI1770/1771 Basic Connection and Operation	1-2
1.3 Jumpers	1-3
1.4 Demonstration Software (Version 1.0) for the PCM1770	1-4

1.1 Block Diagram

Figure 1–1. DEM-DAI1770/1771 Block Diagram



1.2 DEM-DAI1770/1771 Basic Connection and Operation

- Connect a 5-V power supply to V_{CC} and GND on connectors CN054 and CN055, respectively.
- Connect the S/PDIF signal into CN001 (COAX) or U001 (OPT).
- The system clock and other digital signals are supplied from a digital audio receiver through jumpers to the PCM1770/1771.
- Set the input data format using switches SW001–SW003 and the demonstration software (PCM1770) or switch SW006 (PCM1771).
- For the PCM1770: Set all the DIP switches in SW006 to H for software control.
- For the PCM1771: Set DIP switches in SW006 as in Table 1–2 for manual configuration control.
- Connect a mini-jack headphone or audio cables to the CN003 stereo headphone output ($0.55 V_{HP-PP}$ full scale).
- Connect an external audio RCA cable to CN002 as an analog mixing input if necessary ($0.584 V_{HP-PP}$ full scale).

1.2.1 Configuration Controls

Table 1–1. SW001/002/003: CS8414 (Digital Audio I/F Receiver) on DEM-DAI/DAC Board

SW001 (M0)	SW002 (M1)	SW003 (M2)	Data Format Selection
L	L	L	16–24-bit left-justified, MSB-first
L	H	L	I ² S
H	L	H	16-bit standard, right-justified
L	H	H	18-bit standard, right-justified

SW004: Manual reset

SW005: Digital audio interface selection

Internal – CS8414

External – (CN004)

JP001 : BCK selection

When using left-justified MSB-first data format, remove the jumper from BCK to BCK (left justified).

Table 1–2. SW006: Hardware Control (Only for the PCM1771)

Position	SW006(ML) Audio I/F Data Format	SW006(MD) De-Emphasis Selection	SW006(MC) Analog Mixing Control
L	16 to 24 bits, left-justified format	44.1-kHz de-emphasis off	Analog mixing off
H	16 to 24 bits, I ² S format	44.1-kHz de-emphasis on	Analog mixing on

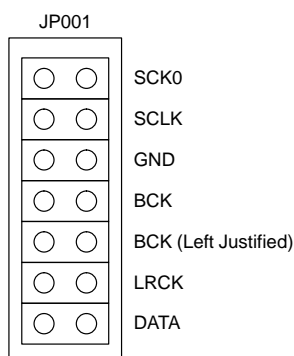
1.3 Jumpers

There are two jumpers onboard.

- JP001: for digital signals
- CN057: for 3.3-V power supply

1.3.1 JP001

The digital signals generated by the digital audio receiver are input to this jumper. For each shorted pair of pins, the corresponding digital signal is input to the PCM1770/1771.



1.3.2 CN057

The board has a 3.3-V voltage regulator for the digital power supply of U003/005/006. This jumper determines whether the onboard voltage regulator is used or not.

CN057 shorted

Supply 3.3 V from the onboard voltage regulator, REG1117-3.3.

CN057 open

Use an external 3.3-V power supply.

1.3.3 SW001 on PCM1770/1771 Daughtercard

Power-down (PD) operation can be switched by SW001 on the PCM1770/1771 daughtercard.

L: Power-down operation

H: Normal operation

1.4 Demonstration Software (Version 1.0) for the PCM1770

Demonstration software is provided to control the PCM1770 internal register using a PC under Microsoft Windows™ 3.1/95/98. For use of this software a printer cable is required to connect between the PC and connector CN003 of the DEM-DAI1770.

1.4.1 Installation

The demonstration software includes a total of five files in the DEM1770 directory (folder) on a floppy disk. These files are

Dem1770.exe

Dem1770.ini

Vbrjp200.dll

inpout.dll

Ver.dll

Copy these files to an appropriately named directory (folder) such as

C:\DEM1770. Then change the printer port address in Dem1770.ini to &H378, &H278 or &H3BC (most PCs use &H378 as the default printer port address).

1.4.2 Operation

After starting execution of Dem1770.exe, the following window appears on screen. This panel shows contents of internal register.



There are two menus on top of the panel.

Execute (E):

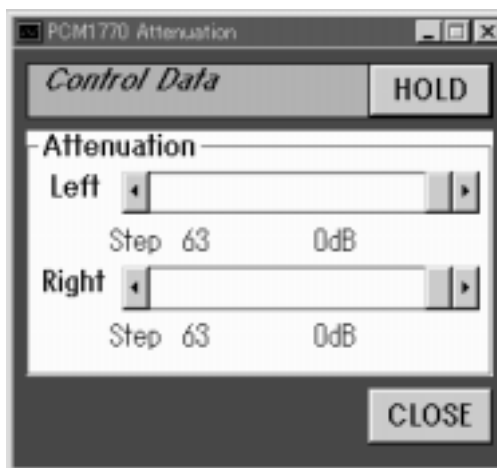
Initialize (I): Initialize all internal registers

Reset (R) : Reset all selected data to PCM1770

Exit (X) : Exit this program

Window (W):

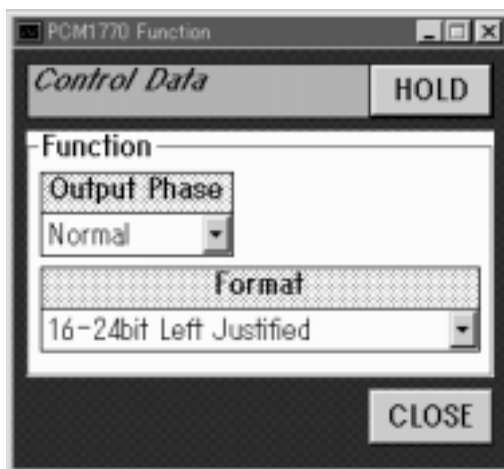
Attenuation (A) : This panel controls the attenuation function of the PCM1770.



Operational control (O): This panel controls mute, DAC operation, de-emphasis, analog mixing, and the power-down function.



Functional control (F) : This panel controls the clock format and output phase functions.



Schematics and Printed-Circuit Boards

This chapter presents the DEM-DAI/DAC and the DEM-PCM1770/1771 printed-circuit boards and schematic diagrams.

Topic	Page
2.1 DEM-DAI/DAC Printed-Circuit Board	2-2
2.2 DEM-PCM1770/1771 Daughtercard Printed-Circuit Board	2-5
2.3 DEM-DAI/DAC Schematics	2-7
2.4 DEM-PCM1770/1771 Daughtercard Schematics	2-9

2.1 DEM-DAI/DAC Printed-Circuit Board

Figure 2–1. DEM-DAI/DAC Silkscreen

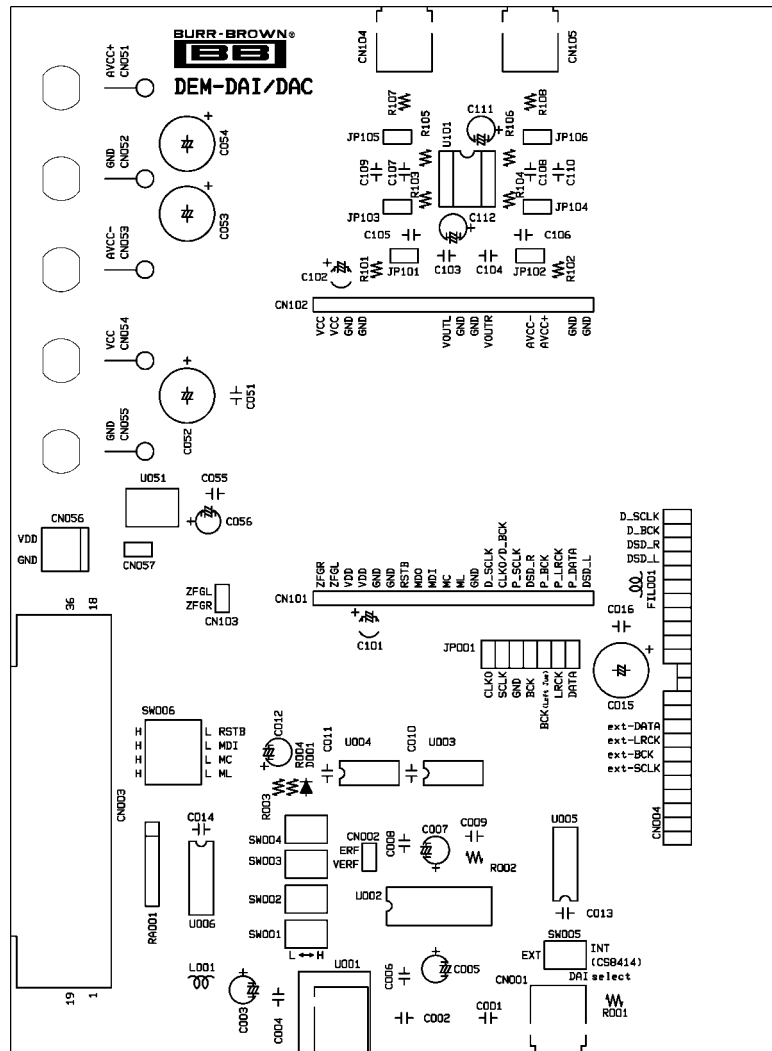


Figure 2-2. DEM-DAI/DAC Top View

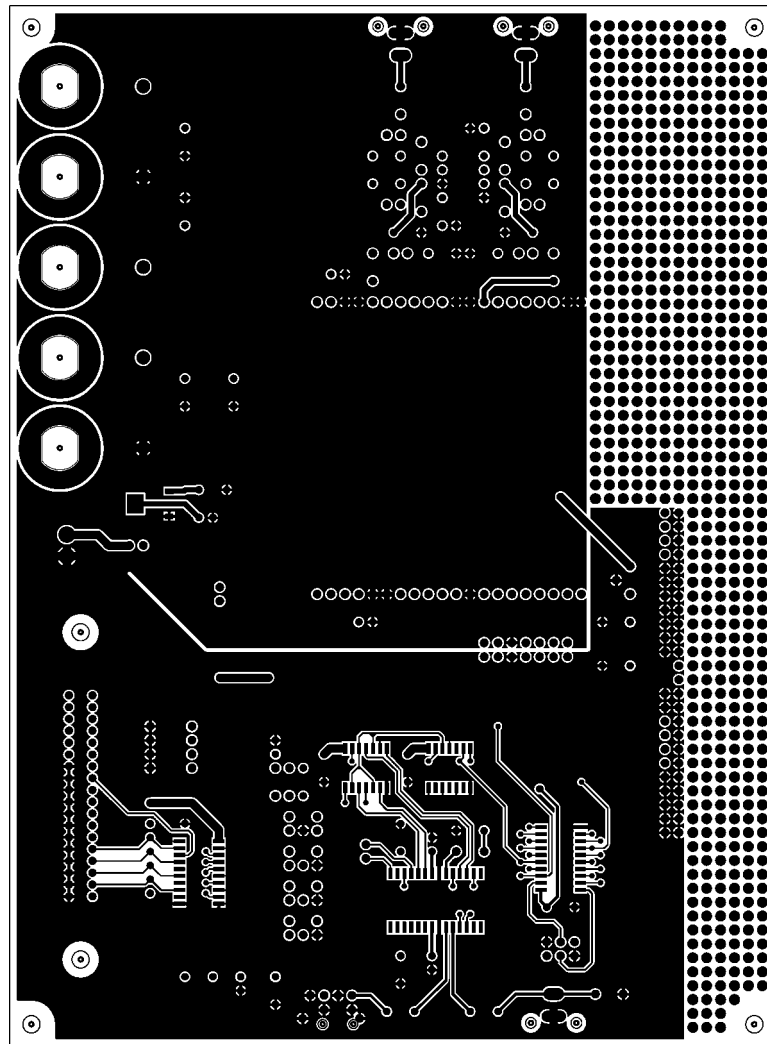
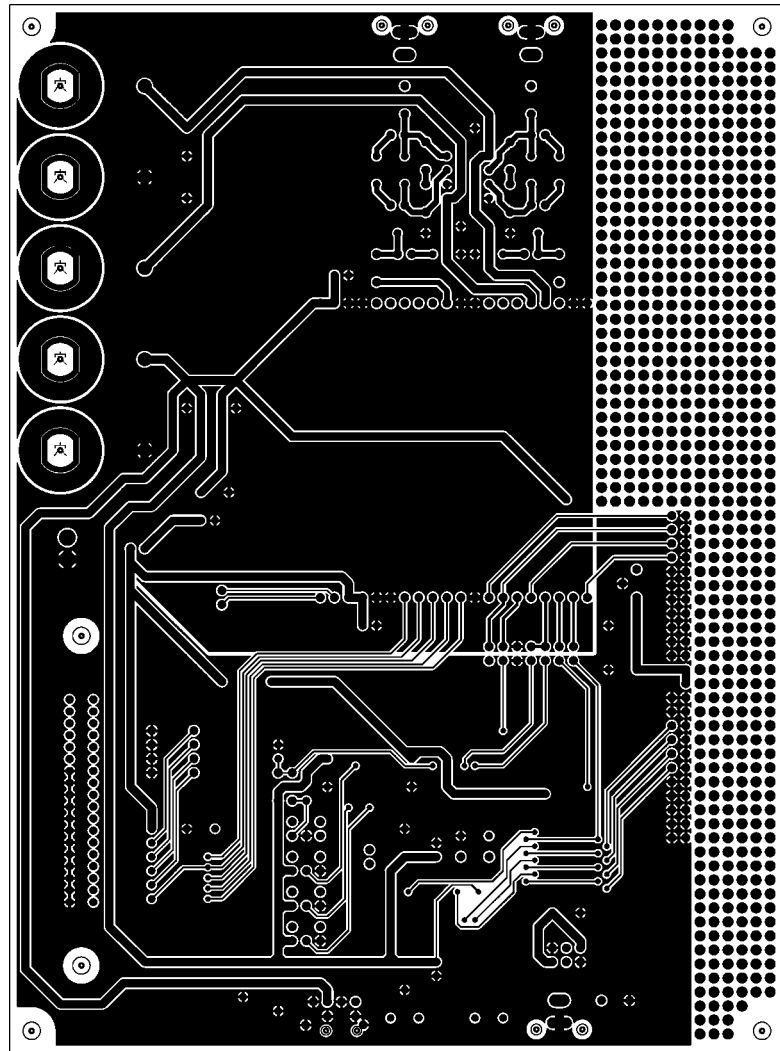


Figure 2–3. DEM-DAI/DAC Bottom View



2.2 DEM-PCM1770/1771 Daughtercard Printed-Circuit Board

Figure 2–4. DEM-PCM1770/1771 Silkscreen

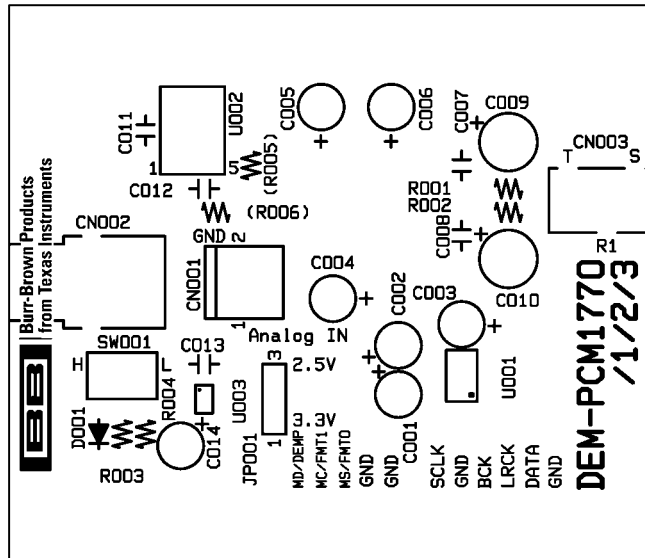


Figure 2–5. DEM-PCM1770/1771 Top View

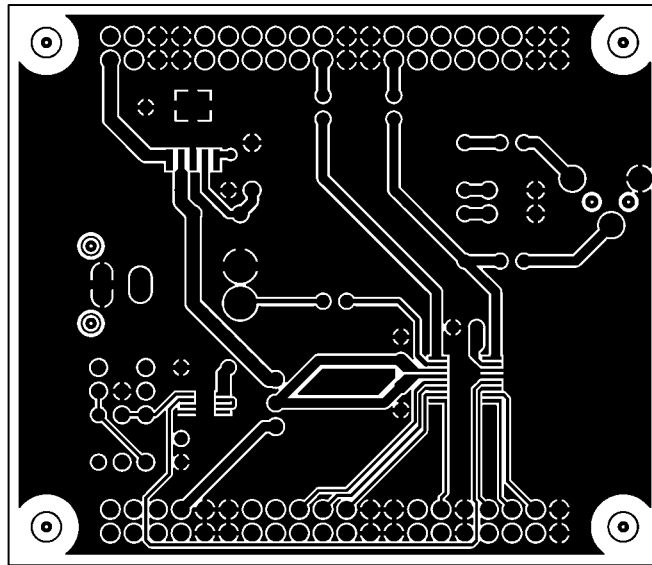
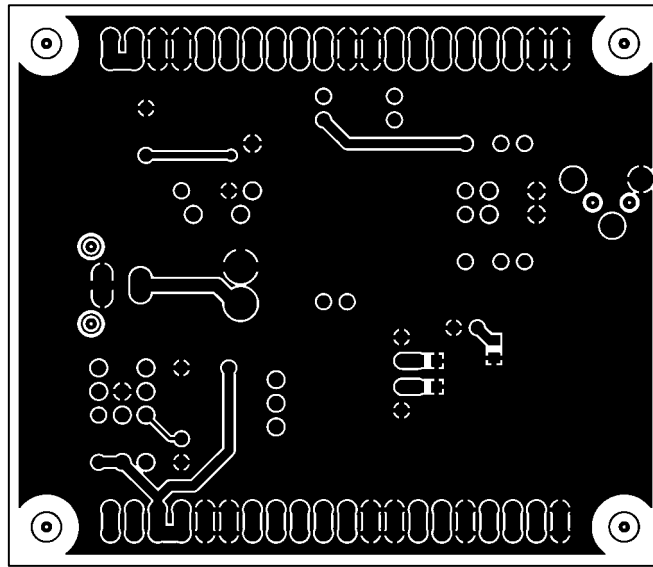


Figure 2–6. DEM-PCM1770/1771 Bottom View



2.3 DEM-DAI/DAC Schematics

Figure 2-7. DEM-DAI/DAC Daughtercard Sockets

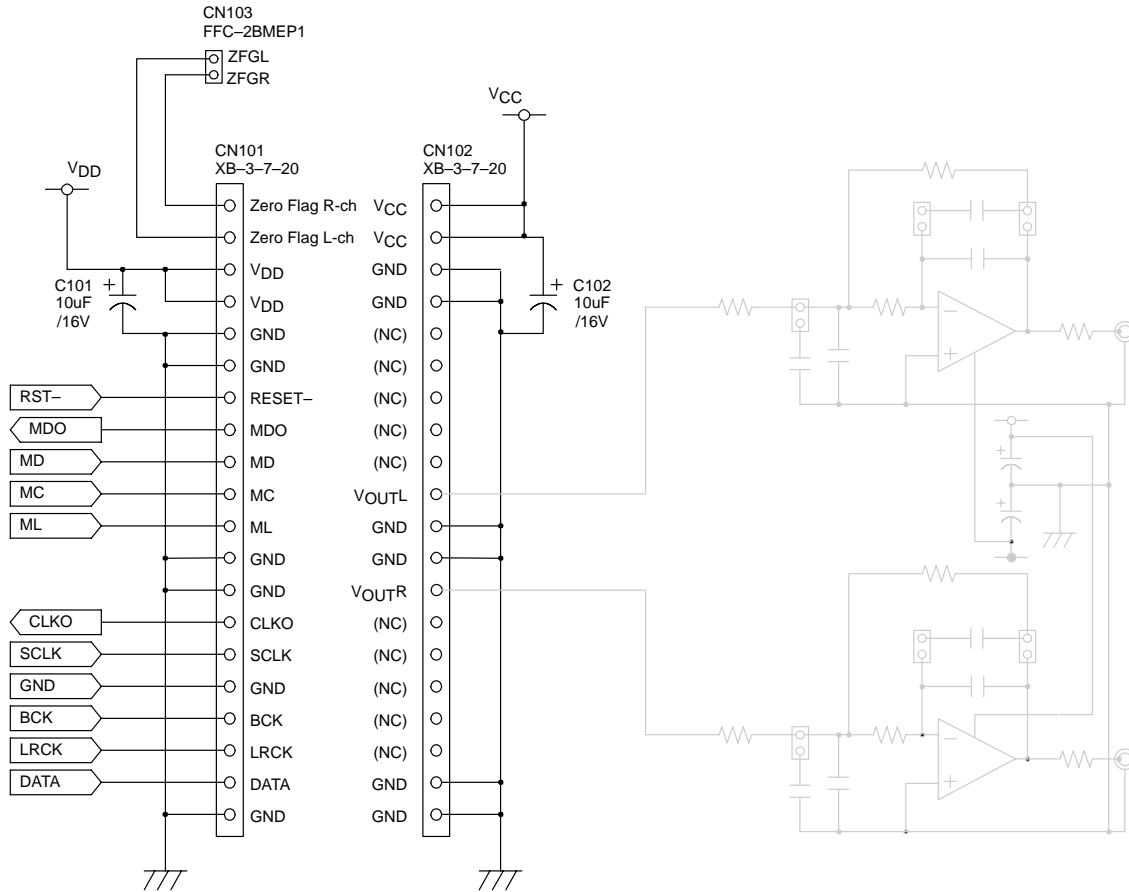


Figure 2-8. DEM-DAI/DAC Connector and Regulator

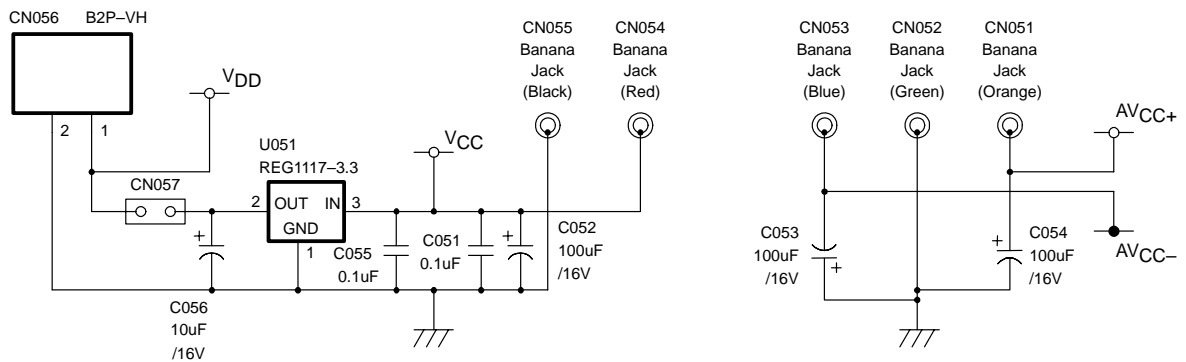
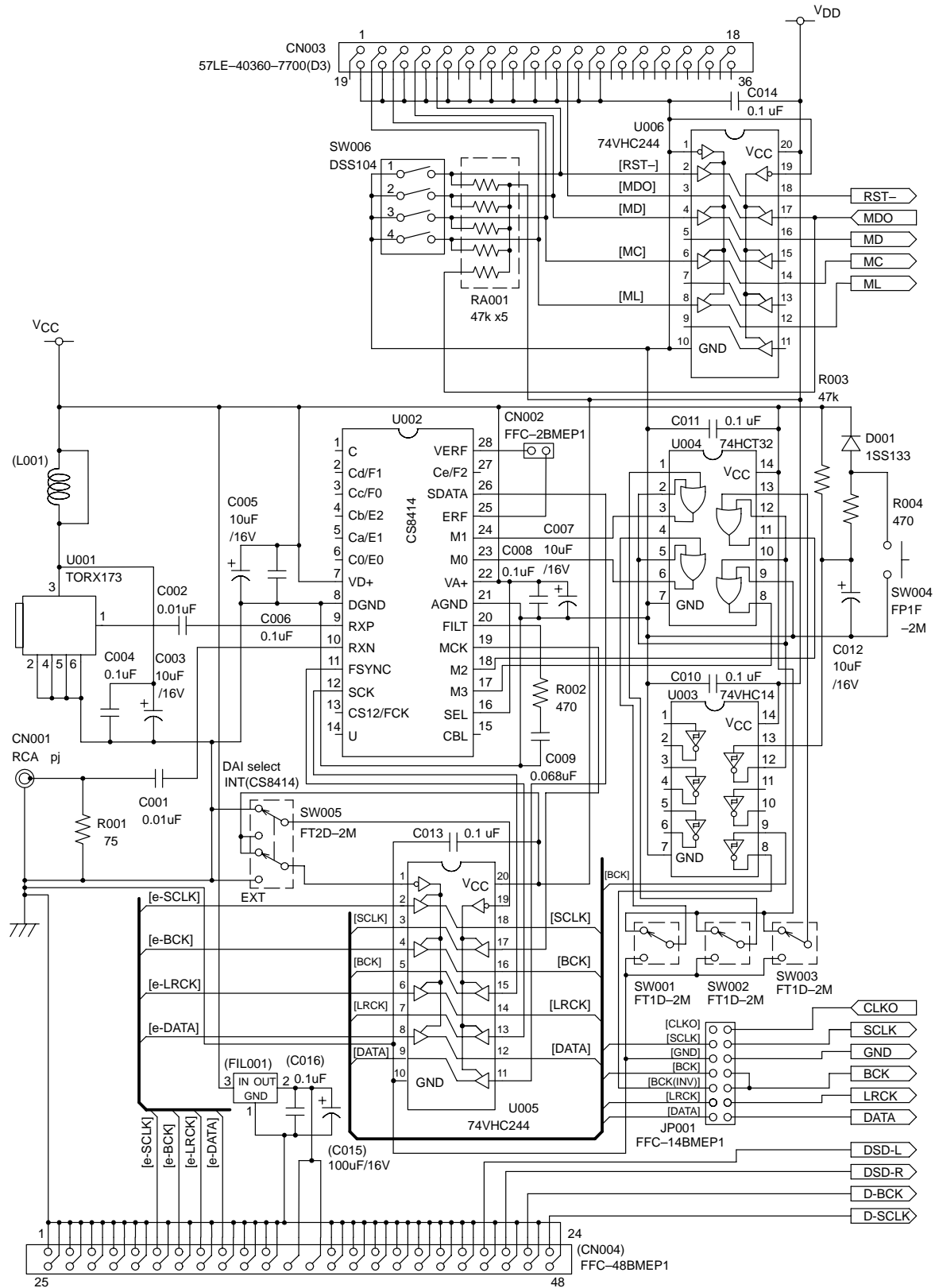


Figure 2–9. DEM-DAI/DAC Digital Audio Interface



2.4 DEM-PCM1770/1771 Daughtercard Schematics

Figure 2-10. DEM-PCM1770/1771

